

IF YOU DO NOT MEASURE IT, YOU CANNOT IMPROVE IT

TORQUE AND POWER METERS



The Eefting Energy TPM series is a torque and power monitoring and control system that features inductive (non-contact) power and data transfer for continuous operation. Designed for applications that require ongoing measurement of torque and/or propeller shaft power, the TPM system is custom-machined to install on existing shafts from 25 mm up to 1016 mm in diameter. Machine disassembly is not required. The microprocessor-based system features 14 bit signal processing to provide precise, reliable data in real time during actual machine operation.

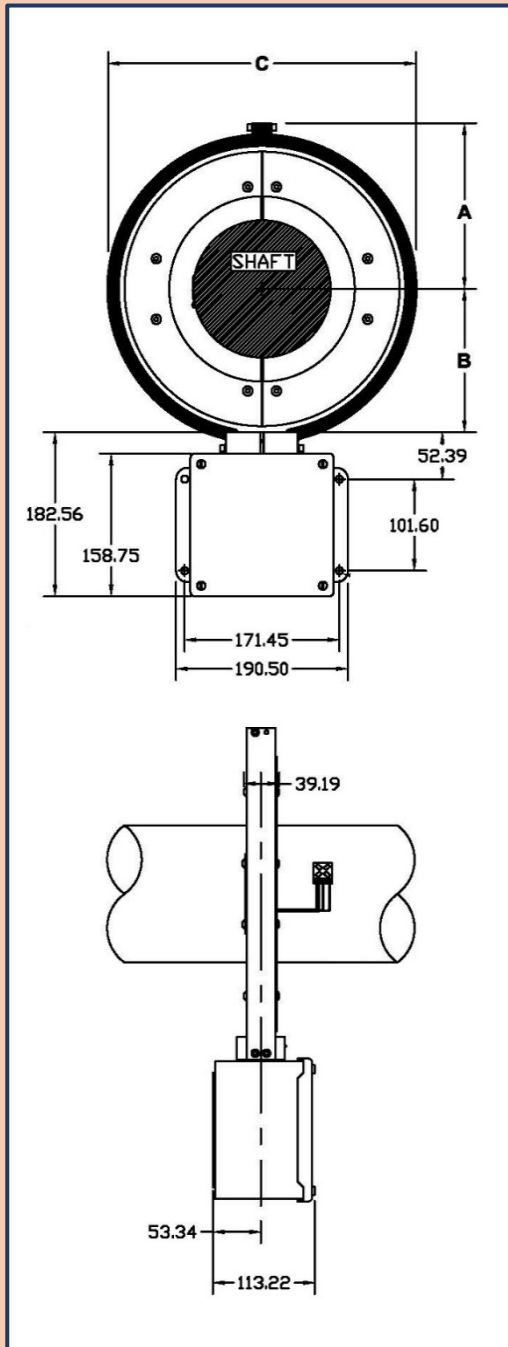
Features:

- **Easy Installation** - Rotating Collar and stationary Power Coil are split and bolt together around the shaft. Shaft modification is not required.
- **Convenient Calibration** - Use at factory settings or utilize easy scaling and adjustment tools. No tuning required.
- **Reliable Operation** - Inductive power and data transfer with generous clearance between stationary and rotating parts. No wear surfaces.
- **Digital Data Transmission** - Delivers a clean, noise-free data signal with 14-bit resolution.
- **Robust Construction** - Sturdy hardware and electronics, built for demanding environmental conditions.
- **Onboard Intelligence** - System status indicators confirm proper operation and aid in troubleshooting.
- **Product Support** - Backed by E2's proven outstanding customer service, before and after the sale.



IF YOU DO NOT MEASURE IT, YOU CANNOT IMPROVE IT

TORQUE AND POWER METERS



SHAFT DIA RANGE		A	B	C
305	355	259	233	492
355	406	284	258	543
406	508	335	335	645
508	610	385	386	746
610	711	437	437	873
711	813	487	487	975
813	914	538	538	1077
914	1016	589	589	1178

(sizes in mm)

Other sizes are available upon request.

The TPM series have standard 4 independent output signals.

- Torque 4-20 mA (12 +/- 8 mA), scalable
- Power 4-20 mA (12 +/- 8 mA), scalable
- Shaft Speed / RPM, Frequency based pulse indicator (5 / 19 mA)
- Shaft Direction; Binary ind. (5 / 19 mA)

Standard Power Supply 230VAC 50/60 Hz, others upon request.